

THE VALLEY RUN 2021

SUPPLEMENTARY REGULATIONS 2 / 4 WHEELERS - OPEN

13 and 14 FEB, 2021

**Venue:
Aamby Valley City Air Strip
Ambavane, Pune**

Promoted & Organised by



Sporting Partner



Approved by



Name of the event	THE VALLEY RUN – 8 TH EDITION
Start Date of the event	13 FEB 2021
End Date of the event	14 FEB 2021
Status of the event	OPEN
Category	2W and 4W
Name of the Organizer	ELITE OCTANE INC.
Address	
Phone	
Email	info@eliteoctane.com
Website	www.eliteoctane.com
In Association with (if any)	SPORTSCRAFT
Name of the Organizer	ELITE OCTANE & SPORTSCRAFT
Address	Mumbai & Bangalore
Phone	
Email	
Website	www.eliteoctane.com

Approved by



WARNING

MOTORSPORT CAN BE DANGEROUS. DESPITE ORGANIZERS TAKING ALL POSSIBLE PRECAUTIONS UNAVOIDABLE ACCIDENTS MAY HAPPEN. YOU ARE PRESENT HERE AT YOUR OWN RISK.

TABLE OF CONTENTS

1. INTRODUCTION	4
2. ORGANIZATION	4
3. PROGRAMME	5
4. ENTRIES	6
5. INSURANCE	9
6. ADVERTISEMENT AND IDENTIFICATION	10
7. ADMINISTRATIVE CHECKS	10
8. PRE-EVENT SCRUTINEERING, SEALING AND MARKING	10
9. IDENTIFICATION OF OFFICIALS	11
11. PRIZES	11
12. PROTEST & APPEAL	13
13. RUNNING OF THE EVENT	14
14. SAFETY REQUIREMENTS	14
NAMES AND PHOTOGRAPHS OF CRO'S	14

1. Introduction

- 1.1 THE VALLEY RUN – 8th edition is run in compliance with the 2019 International Sporting Code of the Federation Internationale de l' Automobile (FIA), 2019 FMSCI General Prescriptions for Drag Racing, the relevant Drag Technical Regulations and these Supplementary Regulations (SRs).

The Federation of Motor Sports Clubs of India (FMSCI) is the National Sporting Authority (ASN) of FIA in India.

Modifications, amendments and / or changes to these SRs will be announced only by numbered and dated bulletins, issued by the organizers, approved by the FMSCI or Stewards.

- 1.2 Acquaintance with and submission to Rules

Every person, or group of persons, organizing a competition or taking part therein

- Shall be deemed to be acquainted with all the relevant rules and regulations of the FMSCI
- All competitors must sign the indemnity and declaration form, which are enclosed with the Entry Form
- These are conditions precedent attached to the submission of entries and taking part in an event and all competitors participating shall be bound by them and also the rules and regulations hereinafter set out or amendments made thereto.
- Shall undertake to submit themselves without reserve to the above and to the decision and consequences resulting therefrom.

2. Organization

- 2.1 **FMSCI Permit No./s :** [REDACTED]

- 2.2 **Organizers name, address and contact details**

ELITE OCTANE INC.

info@eliteoctane.com

www.eliteoctane.com

- 2.3 **Managing Committee**

- 2.4 **Organizing Committee**

Rongom Tagore Mukerji	Sturat Lima	
Bhavin Jagda	Antony Nadar	

--	--	--

2.5 FMSCI Officials

Chief Steward	
Steward	
Club Steward	
Chief Scrutineer	

2.6 Senior Officials

Clerk of the Course	
Assistant Clerk of the Course	
Secretary of the Meet	
Chief Safety Officer	
Chief Medical Officer	TBA
Chief Timekeeper	
Competitors Relations Officer	
Media Relations Officer	
Results Co-ordinator	

2.7 Location of HQ

From:

Day	DD / MM / YYYY	Time (hrs)	Venue
MONDAY	15-Jan-2021	10:00 hrs	

To:

THURSDAY	06-Feb-2021	15:30 hrs	
----------	-------------	-----------	--

From:

Day	DD / MM / YYYY	Time (hrs)	Venue
SATURDAY	13-Feb-2021	07:30 hrs	Aamby Valley Air Strip

To:

SUNDAY	14-Feb-2021	18:00 hrs	Aamby Valley Air Strip
--------	-------------	-----------	------------------------

2.8 Secretariat Address

Main Office for all Correspondence and Courier: From <date>

<address>

Tel: +91-22-xxxxxxx

Alternate From <date>

<address>

Tel: +91-22-xxxxxxx

3. Programme

Time	Details
Publication of SR	Entries open with publication of these Regulations
06 Feb 2021 till 15:30 hrs	Closing of Standard Entries
08 Feb 2021 till 17:00 hrs	Closing of Late Entries (with additional Fees)
12 Feb 2021 - 15:00 hrs	Document Verification & Scrutiny for 13 th Feb Classes ((M1 to M4, M5, M6, O1, A1, A2, A3, A4, B1, B2, B3, B4, B5, B6, B7, G1, K1 to K4, W1)
09 Feb 2021- 17:00 hrs	Publication of Entry List on EOI website and Event page on FB

13 Feb 2021 08:15 hrs.	Start of Drag (M1 to M4, M5, M6, O1, A1, A2, A3, A4, B1, B2, B3, B4, B5, B6, B7, G1, K1 to K4, W1)
13 Feb 2021 13:45 to 16:30 hrs. (after which late fees applicable upto 16:30 hrs)	Documentation Check + Pre-Event Scrutiny (M7, M8, M9, M10, P, O2, W2, A5, A6, A7, F, G2, K5 to K7, H1, H2, H3, I1, I2, I3, J)
Approx. at 18:30 hrs	Prize Distribution for Races run during the day

SUNDAY, 14 Feb 2021 (at Event Venue)	
Time	Details
14 Feb 2021 08:30 hrs.	Briefing Meeting
14 Feb 2021 09:15 hrs.	Start of Drag (K5 to K7, A5, A6, A7, F, G2, M7, M8, M9, M10, P, O2, W2, H1, H2, H3, I1, I2, I3, J)
Approx. at 18:30 hrs	Prize Distribution for Races run during the day

NOTE:

If any vehicle does not complete documentation and/or scrutiny in above stipulated time, the entry will be forfeited and the vehicle will not be allowed to start.

4. Entries

4.1 Opening and Closing Dates

Entries open with the publication of these Supplementary Regulations

Starting date of Entries: 15 Jan 2021 @ 10:30 hrs

Closing date of Standard entries: 06 Feb 2021 @ 15:30 hrs

Closing date of Late entries: 08 Feb 2021 @ 17:00 hrs

(Additional fees INR 2,000.00 + 18% GST applicable for late entries)

4.2 Entry Procedure

Those wishing to take part in the event must send the enclosed entry form duly completed to the permanent secretariat address given in Art.2.8 prior to the closing date as mentioned in Art.4.1

4.3 Maximum number of Entries

The maximum number of entries accepted would be no more than 600. If more entries are than these are received, then the organizers reserve the right to decide which entries would be accepted or accept on the basis of available time schedule.

4.4 Category, Groups & Classes & Entry Fees – OPEN Categories

<input type="checkbox"/> 2 Wheelers - 2 Stroke - Super Sport	
Class M	Entry Fees (INR)
<input type="checkbox"/> Upto 165 cc (M1)	3,540.00
<input type="checkbox"/> 166 to 375 cc (M2)	3,540.00

<input type="checkbox"/> 2 Wheelers - 4 Stroke - Super Sport	
Class M	Entry Fees (INR)
<input type="checkbox"/> Upto 165 cc (M3)	3,540.00
<input type="checkbox"/> 166 cc – 225 cc (M4)	3,540.00
<input type="checkbox"/> 226 cc – 360 cc (M5)	3,540.00
<input type="checkbox"/> 361 cc – 550 cc (M6)	3,540.00
<input type="checkbox"/> Indian Open (O1)	5,900.00
<input type="checkbox"/> Indian Wheelie (W1)	3,540.00

<input type="checkbox"/> 2 Wheelers - 4 Stroke - Super Sport	
Class M	Entry Fees (INR)
<input type="checkbox"/> 551 cc – 850 cc (Sport - Inline 3/4) (M7)	5,900.00
<input type="checkbox"/> 649 cc – 850 cc (Single / Twin) (M8)	5,900.00
<input type="checkbox"/> 851 cc – 1050 cc (M9)	5,900.00
<input type="checkbox"/> 1051 cc and above (M10)	5,900.00
<input type="checkbox"/> Muscle (P1)	5,900.00
<input type="checkbox"/> Naked Bike (P2)	5,900.00

<input type="checkbox"/> Foreign Open (O2)	8,260.00
<input type="checkbox"/> Foreign Wheelie (W2)	5,900.00

<input type="checkbox"/> 4 Wheelers - Pro Stock Petrol	
Class B	Entry Fees (INR)
<input type="checkbox"/> Upto 1150 cc (B1)	5,900.00
<input type="checkbox"/> 1151 cc – 1450 cc (B2)	5,900.00
<input type="checkbox"/> 1451 cc – 1650 cc (B3)	5,900.00
<input type="checkbox"/> 1651 cc – 2050 cc (B4)	5,900.00
<input type="checkbox"/> 2051 cc – 2550 cc (B5)	5,900.00
<input type="checkbox"/> 2551 cc – 3060 cc (B6)	5,900.00
<input type="checkbox"/> 3061 cc and above (B7)	5,900.00

<input type="checkbox"/> 4 Wheelers - Pro Stock Diesel	
Class K	Entry Fees (INR)
<input type="checkbox"/> Upto 1150 cc (K1)	5,900.00
<input type="checkbox"/> 1151 cc – 1450 cc (K2)	5,900.00
<input type="checkbox"/> 1451 cc – 1650 cc (K3)	5,900.00
<input type="checkbox"/> 1651 cc – 2050 cc (K4)	5,900.00
<input type="checkbox"/> 2051 cc – 2550 cc (K5)	5,900.00
<input type="checkbox"/> 2551 cc – 3060 cc (K6)	5,900.00
<input type="checkbox"/> 3061 cc and above (K7)	5,900.00

<input type="checkbox"/> 4 Wheelers – Indian Cars with Foreign Engine (minimum 4 to form Class or the class will be merged with the next higher Class). Cannot run in Indian Open, but can take part in Unrestricted Class	
Class F	Entry Fees (INR)
<input type="checkbox"/> (F)	8,260.00

<input type="checkbox"/> 4 Wheelers – Indian Open (Stock & Unrestricted)	
Class G	Entry Fees (INR)
<input type="checkbox"/> Indian Open (G1) – Stock Body	5,900.00
<input type="checkbox"/> Indian Open (G2) – Altered / Unrestricted	5,900.00
<input type="checkbox"/> Hatchback Open (G3) – Unrestricted	5,900.00

<input type="checkbox"/> 4 Wheelers – PRO STOCK – Petrol/Diesel - Foreign	
Class I	Entry Fees (INR)
<input type="checkbox"/> Upto 3000 cc (I1)	8,260.00
<input type="checkbox"/> 3001 to 4000 cc (I2)	8,260.00
<input type="checkbox"/> 4001 cc and above (I3)	8,260.00

<input type="checkbox"/> 4 Wheelers – Unrestricted – Indian, Foreign (All types)	
Class J	Entry Fees (INR)
<input type="checkbox"/> All types (J)	8,260.00

<input type="checkbox"/> 4 Wheelers – Exhibition – Indian, Foreign (All types)	
Class E (invitation Only)	Entry Fees (INR)
<input type="checkbox"/> All types (E)	17,700.00

Entry fees are inclusive of taxes applicable (i.e. 18% GST).

4.5 **Payment**

The entry fees can be either by demand draft in favour of ELITE OCTANE MOTORING PVT. LTD. payable at MUMBAI or by cash.

4.6 **Refund**

Entries fees will be refunded in full only:

- To candidates whose entry has not been accepted
- In case of event not taking place

The organizers may refund 50% of the entry fee to those competitors who, for reasons of force-majeure (duly accepted by the organizing committee) were unable to start in the event.

5. Insurance

Organizers holding a valid 2021 FMSCI Permit for an event are covered for

Competitors : A maximum of 250 competitors with valid FMSCI Competition License participating in various events across the Country on a given day are covered for Personal Accident Insurance for Rs. 5 lakhs with Rs. 5 Lakhs medical expense extension per person.

Officials : A maximum of 100 officials officiating in various events across the Country on a given day are covered for Personal Accident Insurance for Rs.25 lakhs with Rs.1 lakh medical expense extension per person.

THESE INSURANCES ARE ISSUED BY NEW INDIA INSURANCE COMPANY LTD AND VALID DURING THE RUNNING OF THE EVENT ONLY. ORGANIZERS / COMPETITORS ARE ADVISED TO TAKE ANY ADDITIONAL INSURANCES THEY MAY DEEM FIT. IF THEY HAVE MORE THAN 100 OFFICIALS & ALSO REQUIRE DOOR TO DOOR COVERAGE PLEASE CONTACT: S.MANIKANDAN@STENHOUSE.IN

Third Party Liability Insurance (Minimum 50 lakhs) taken by the Organizers

Dates covered: 13 and 14 Feb 2021

Amount:

Company:

6. Advertisement and Identification

- 6.1 It is compulsory to carry organizers advertisement on the competing vehicles.
- 6.2 Competitors are allowed to affix any kind of advertisements on their vehicle provided that
- Any instructions issued by the organisers are observed.
 - It is authorized by the National laws and FMSCI regulations
 - Advertising must not be of a political, obscene or insulting nature. It must be in good taste and not conflict with the vehicles official numbers in any way
 - It should not be placed as to prevent recognition by Officials or Marshals.
 - The space designated in Appendix '4' of the General Prescription is left free of advertising other than that provided by the organisers.
 - It does not encroach upon the spaces reserved for rally plates, number plates and windscreen strips,
 - It does not interfere with the driver's vision through the windows.

7. Administrative checks

7.1 Documents Submission

Entrants should produce the following for inspection at the time of submitting the vehicle for pre-event scrutiny and administrative check on the date / time as mentioned in Art.3.

Competitors are required to bring:

- i) Special DragInsurance cover valid for the dates of the event (Recommended)
- ii) Authority letter from owner of the vehicle if the driver / rider is not the owner of the vehicle used in the event
- iii) FMSCI Competition License for Driver (Minimum 4W Clubsport DragLicence. Apply online at <http://licence.fmsci.co.in/>)
- iv) Entrant Licence / FMSCI Registration (if any)
- v) Pan Card copy of Competitor
- vi) 3 Passport size photographs

Competitors are required to carry all the above documents throughout the event. All the documents shall be valid for the date(s) of the event.

8. Pre-event Scrutineering, Sealing and Marking

8.1 Venue & Timings

Place: Aamby Valley Air Strip

Date: 12 Feb 2021

Time: 15:00 hrs onwards

9. Identification of Officials

Safety Marshal	Orange
Safety Officer	Orange with white stripe and text
Post Chief	Blue with white stripe and text
Media	Green
Stage Commander	Red with text
Competitor Relations Officer	Red Jacket or Red Tabard
Medical	White
Radio	Yellow with blue mark
Scrutineer	Black

11. Prizes

Prizes will be provided by Elite Octane Inc. as follows:

(Cash Awards awarded to 1st place winners only, applicable on minimum 6 Entries per Class. Trophy & Certificate applicable to all)

<input type="checkbox"/> 2 Wheelers - 2 Stroke - Super Sport	
Class M	First Prize (INR)
<input type="checkbox"/> Upto 165 cc (M1)	10,000.00
<input type="checkbox"/> 166 to 375 cc (M2)	10,000.00

<input type="checkbox"/> 2 Wheelers - 4 Stroke - Super Sport	
Class M	First Prize (INR)
<input type="checkbox"/> Upto 165 cc (M3)	10,000.00
<input type="checkbox"/> 166 cc – 225 cc (M4)	10,000.00
<input type="checkbox"/> 226 cc – 360 cc (M5)	10,000.00
<input type="checkbox"/> 361 cc – 550 cc (M6)	10,000.00
<input type="checkbox"/> Indian Open (O1)	50,000.00
<input type="checkbox"/> Indian Wheelie (W1)	10,000.00

<input type="checkbox"/> 2 Wheelers - 4 Stroke - Super Sport	
Class M	First Prize (INR)
<input type="checkbox"/> 551 cc – 850 cc (Sport - Inline 3/4) (M7)	10,000.00
<input type="checkbox"/> 649 cc – 850 cc (Single / Twin) (M8)	10,000.00
<input type="checkbox"/> 851 cc – 1050 cc (M9)	10,000.00
<input type="checkbox"/> 1051 cc and above (M10)	10,000.00
<input type="checkbox"/> Muscle (P1)	10,000.00
<input type="checkbox"/> Naked Bike (P2)	10,000.00
<input type="checkbox"/> Foreign Open (O2)	50,000.00
<input type="checkbox"/> Foreign Wheelie (W2)	10,000.00

<input type="checkbox"/> 4 Wheelers - Pro Stock Petrol	
Class B	First Prize (INR)
<input type="checkbox"/> Upto 1150 cc (B1)	10,000.00
<input type="checkbox"/> 1151 cc – 1450 cc (B2)	10,000.00
<input type="checkbox"/> 1451 cc – 1650 cc (B3)	10,000.00
<input type="checkbox"/> 1651 cc – 2050 cc (B4)	10,000.00
<input type="checkbox"/> 2051 cc – 2550 cc (B5)	10,000.00
<input type="checkbox"/> 2551 cc – 3060 cc (B6)	10,000.00
<input type="checkbox"/> 3061 cc and above (B7)	10,000.00

<input type="checkbox"/> 4 Wheelers - Pro Stock Diesel	
Class K	First Prize (INR)
<input type="checkbox"/> Upto 1150 cc (K1)	10,000.00
<input type="checkbox"/> 1151 cc – 1450 cc (K2)	10,000.00
<input type="checkbox"/> 1451 cc – 1650 cc (K3)	10,000.00
<input type="checkbox"/> 1651 cc – 2050 cc (K4)	10,000.00
<input type="checkbox"/> 2051 cc – 2550 cc (K5)	10,000.00
<input type="checkbox"/> 2551 cc – 3060 cc (K6)	10,000.00
<input type="checkbox"/> 3061 cc and above (K7)	10,000.00

<input type="checkbox"/> 4 Wheelers – Indian Cars with Foreign Engine (minimum 4 to form Class or the class will be merged with the next higher Class). Cannot run in Indian Open, but can take part in Unrestricted Class	
Class F	First Prize (INR)
<input type="checkbox"/> (F)	12,000.00

<input type="checkbox"/> 4 Wheelers – Unrestricted – Indian	
Class G	First Prize (INR)
<input type="checkbox"/> Indian Open (G1)	10,000.00
<input type="checkbox"/> Indian Open (G2)	50,000.00
<input type="checkbox"/> Hatchback Open (G3) – Unrestricted	10,000.00

<input type="checkbox"/> 4 Wheelers – PRO STOCK – Petrol/Diesel - Foreign	
Class I	First Prize (INR)
<input type="checkbox"/> Upto 3000 cc (I1)	10,000.00
<input type="checkbox"/> 3001 to 4000 cc (I2)	10,000.00
<input type="checkbox"/> 4001 cc and above (I3)	10,000.00

<input type="checkbox"/> 4 Wheelers – Unrestricted – Indian, Foreign (All types)	
Class J	First Prize (INR)
<input type="checkbox"/> All types (J)	50,000.00

12. Protest & Appeal

12.1 LODGING A PROTEST OR APPEAL

All protests and / or appeals must be lodged in accordance with the stipulations of Articles 13,14 and 15 of the Code.

12.2 PROTEST FEES

12.2.1 For Closed, Closed Invitation and Open Events, the protest fees are INR 7,080.00 (Rupees Seven Thousand Eighty Only) (INR 6,000+ INR 1,080 GST)

12.2.2 If a protest requires the dismantling and re-assembly of a clearly defined part of the car any additional deposit must be specified in the Supplementary Regulations– or will be specified by the Stewards upon a proposal of the FMSCI Technical Delegate / Chief Scrutineer.

12.2.3 If the protest is overruled or it is withdrawn after being brought, no part of the fee shall be returned. (Article 13.10.1 of FIA International Sporting Code)

12.2.4 If it is proved that the author of the protest has acted in bad faith, the FMSCI may inflict upon them one of the penalties laid down in the Code. (Article 13.10.3 of sporting code)

12.3 APPEALS

Intention to Appeal: INR 56,640/= (Rupees Fifty Six Thousand Six Hundred Forty Only)
(INR 48,000/= +INR 8,640/= GST)

Within 96 hrs further: INR 56,640/= (Rupees Fifty Six Thousand Six Hundred Forty Only)
(INR 48,000/= +INR 8,640/=ST)

- Competitors may appeal against decisions, in accordance with the stipulations set out in Articles 15.1 of the Code.
- Competitors have the right to appeal against a sentence or other decisions pronounced on them by the Stewards of the meeting. They must, however under pain of forfeiture of their right to appeal, notify the Stewards of the Meeting in writing within one hour of the publication of the decision, of their intention to appeal along with a fee of INR 56,640/= (Rupees Fifty Six Thousand Six Hundred Forty only).
- The right to bring an appeal to the FMSCI expires 96 hours after the date of the decision of the Stewards of the event on condition that the intention of appealing has been notified in writing to the Stewards of the event within one hour of the decision (see previous paragraph). This appeal may be brought by fax or by any other electronic means of communication with confirmation of receipt. Confirmation by a letter of the same date accompanied by the necessary fee is required. The FMSCI will give its decision within a maximum of 30 days.
- All parties concerned shall be given adequate notice of the hearing of any appeal. They shall be entitled to call witnesses, but their failure to attend the hearing shall not interrupt the course of the proceedings.
- The confirmation of an appeal to the FMSCI must be accompanied by an additional fee of INR 56,640/= (Rupees Fifty Six Thousand Six Hundred Forty only)..
- This fee becomes due from the moment the appellant notifies the Steward of the intention of appealing, and remains payable even if the appellant does not follow up the declared intention to appeal.
- If the appeal is rejected or it is withdrawn after being brought, no part of the fee shall be returned.
- If judged partially founded, the fee may be returned in part, and in its entirety if the appeal is upheld.
- If it is proved that the author of the appeal has acted in bad faith, the FMSCI may inflict upon them one of the penalties laid down in the Code.

13. Running of the Event

Surface: Tarmac

Distance: 402 metres, ¼ mile

Braking Distance: 500 meters. Braking area of around 500 meters and run-off of 75 meters for the remaining distance.

Width of the track: 18 metres

Maximum Number of runs per day including practice: 175 (25 additional if allowed by Stewards)

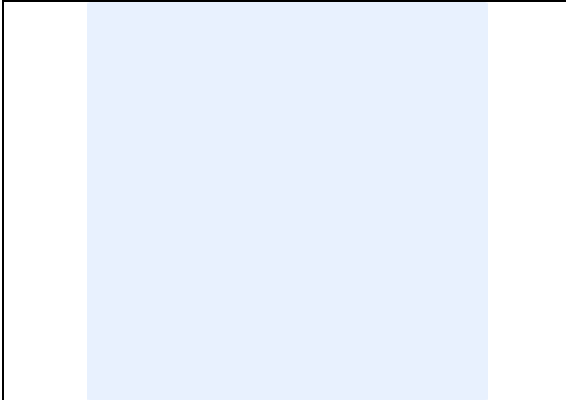
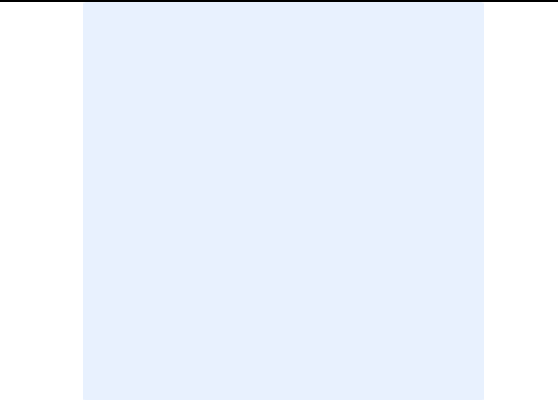
14. Safety Requirements

Safety requirements strictly as per FMSCI guidelines of Drag Racing for 2020.

Please refer 2W Technical Regulations: <https://goo.gl/RQsoE9>

Please refer 4W Technical Regulations: <https://goo.gl/d3gQMm>

Names and photographs of CROs

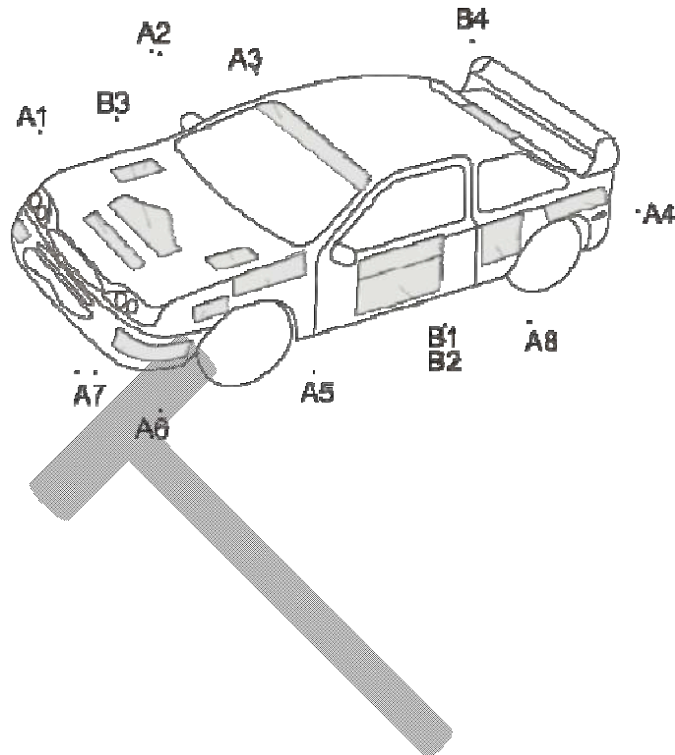
	
	CRO NAME
	MOBILE
	email

Will be present at:

- At the Secretariat.
- At the start of the scrutineering.
- Near the "PIT AREA".

NOTES / WAIVERS

APPENDIX 1: COMPETITION NUMBERS & ADVERTISING



- A1 : TBA
- A2 : Club/Sponsor
- A3 : Sponsor
- A4 : Sponsor
- A5 : TBA
- A6 : TBA
- A7 : TBA
- B1 ~ B3: Competition Number

DOCUMENTATION / INFORMATION REQUIRED FOR ISSUE OF PERMIT

- Risk Analysis document duly filled in and signed by the Organizer and COC
- Safety & Medical Document duly filled in & signed both by the CMO & COC.
- Associate Hospital close by, Distance by Road and Hospital confirmation letter for acceptance of any injured participant if required for treatment.
- Track Layout Drawing, Barricading Drawing, Pits Location drawing, Assembly Area Drawing, Scrutiny Area Drawing, COC and Stewards Area drawing.
- List of permissions applied for and acknowledgement of application from the department.
- 3rd party event Insurance copy.
- Preferred date for track inspection by FMSCI delegate.
- Details of Timing Equipment being used.